

celitron

WE THINK GREEN!

- › Bench-Top Steam Sterilizer
- › Medium Steam Sterilizers
- › Large Steam Sterilizers

LARGE STEAM STERILIZERS

Azteca A Series

- **Easy to use** – one touch operation.
- **Large capacity** – from 110 liters up to 12 STUs.
- **Highly customizable** – with a wide range of accessories and options.
- **Fast and economical** – sterilization cycles from 21 minutes with advanced water and energy saving systems.
- **Best solution** – for hospital CSSDs, pharmaceutical and biotechnological applications.



CE 2409

www.celitron.com

High-tech in sterilization

LARGE STEAM STERILIZERS

Azteca A Series

The Azteca A large steam sterilizer family consists of fully automatic pre- and post-vacuum sterilizers, designed with the highest quality to cover a large field of applications for hospital central processing departments, as well as pharmaceutical and bio-technological industries. These models have been sold worldwide in Europe, the Middle East, America, Latin-America, Africa and Asia, and are highly recommended by doctors, sterile processing technicians and professionals. All components used have been selected with proper attention, meeting the highest quality standards from known leading companies with the most advanced technologies around the World.

Construction

The construction of these autoclaves is modern, ensuring reliable operation, incorporating hightech features and behind its success is a team of multi-disciplinary engineers, who developed sterilization equipment on OEM basis for leading manufacturers around the world, for more than 20 years.

Chamber

The vessel is a double full jacketed square chamber, made of corrosion resistant stainless steel 316L, which conforms to the Pressure Equipment Directive (PED). The autoclave's

framework and piping are also made of stainless steel. The highly efficient, high quality Hanno-Tech insulation material releases no particles; hence the Azteca A steam sterilizers can be used under clean room conditions. The advanced insulation technology further contributes to the high energy efficiency of the units.

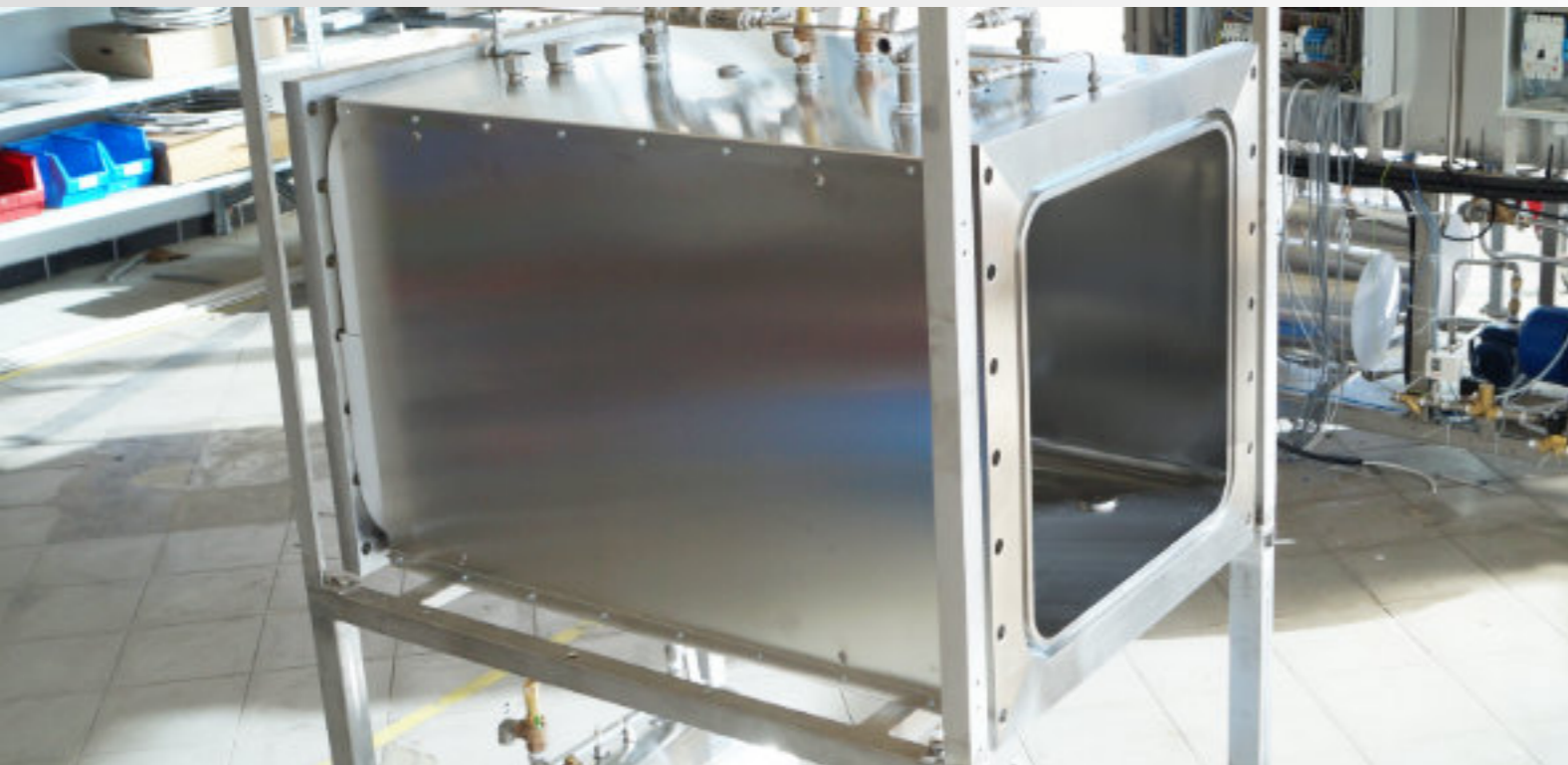
Doors

The autoclave can be supplied with either 1 or 2 pneumatically operated vertical sliding door(s). The automatic vertical sliding door's movement stops immediately if it is obstructed and goes back to the opened position. Special safety features prevent the door from opening when the chamber is pressurized or when the temperature is high. In double door units both doors cannot

be opened at the same time, and clean side door only opens, after a sterilization cycle has been successfully completed.

Internal steam generator

The Azteca A steam sterilizers use steam under pressure as the sterilizing agent for wrapped or unwrapped goods such as fabrics, surgical instruments, utensils, and other heat and moisture stable materials at temperatures from 121°C to 134°C. The autoclaves can be equipped with internal steam generator to enable faster cycles with efficient energy consumption, and to eliminate the dependence on an external steam source and its steam quality. The air removal is done by a powerful vacuum system, using a liquid ring vacuum pump and a condenser, heat



High-tech in sterilization

exchanger. All autoclaves are supplied with a water saving system as standard to reduce the amount of water during the sterilization cycles.

Certified

Through the numerous safety features, the Azteca A steam sterilizers meet the highest standards and requirements for quality, safety and operation (EN 285 – Large Steam Sterilizers standard; Pressure Equipment Directive (PED); Medical Device Directive MDD 93/42/EEC; EN 60601-1, EN 61010-1 and EN 61326 safety standards, etc. and CE approved).

Microprocessor controlled steam sterilizer

A microprocessor based control system; state of the art Freescale technology automatically controls all operations. The system includes a digital color touchscreen LCD display, communication, self and remote diagnosis and PC connection for external documentation and printing, ensuring a reliable, safe and user-friendly operation.

The displayed information is available for users in a variety of languages.

The cycles

Azteca A Series offer 7 preset cycles, 5 sterilization cycles and 2 test cycles to assure a proper sterility level. Up to totally 20 cycles can be custom designed according to the users' needs.

The design of all internal and external components together with the self-diagnostic system ensure easy maintenance, resulting in reliable service and performance and satisfied operators.

Solution for CSSD's

Within the health-care services, sterilization of medical supplies is an essential issue in the

battle against the advance of many infectious diseases. In order to improve the quality of this supply, international standards have been developed, which specify the requirements for the equipment, and procedures in the sterilization departments in health care facilities.

Celitron's Azteca A autoclaves provide the best solution for hospital's central sterile supply departments (CSSD), clinics, as well as pharmaceutical and biotechnological industries.

With a range of accessories these autoclaves can be easily customized according to the customer's requirements.



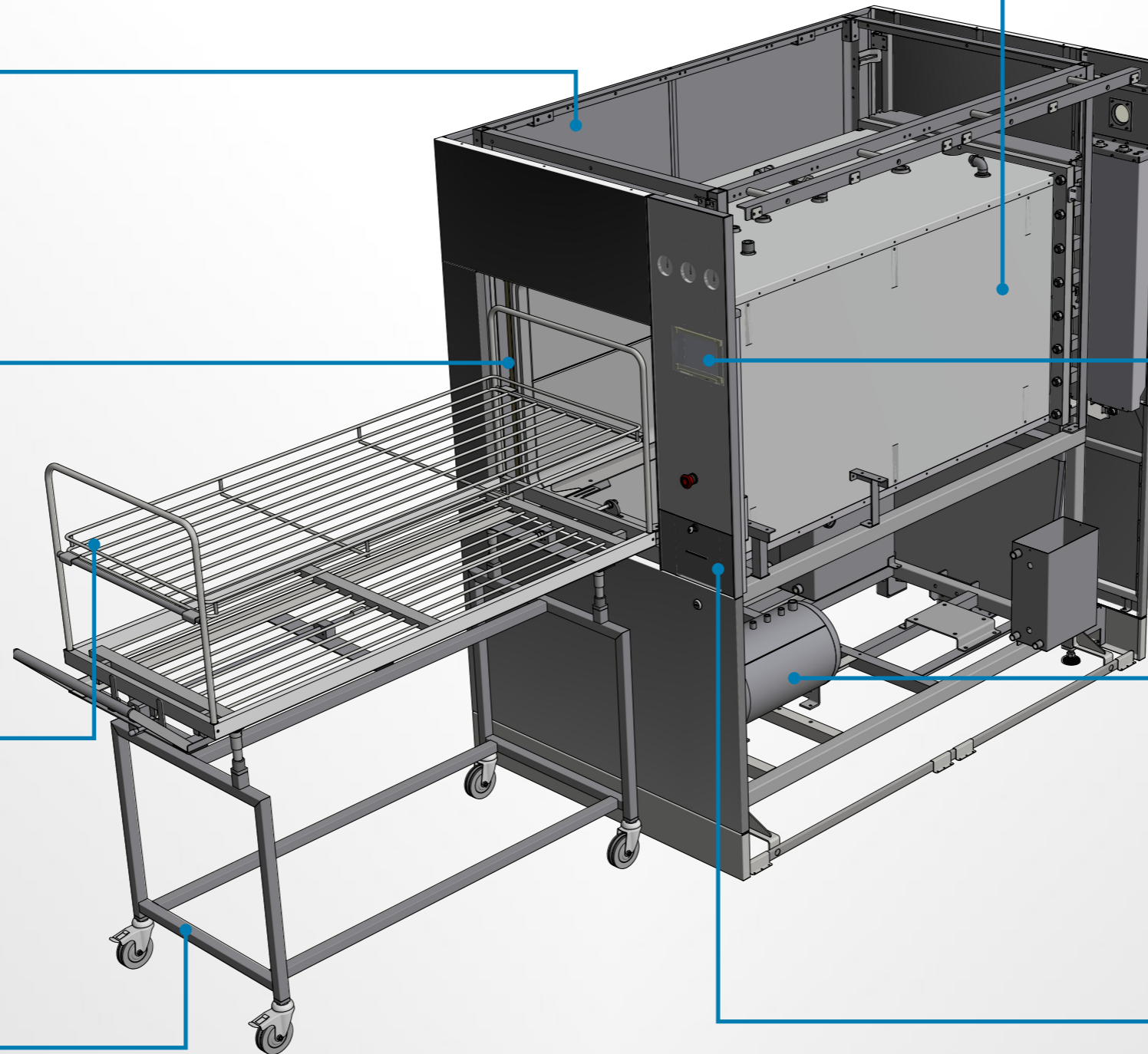
Main Structural Features

SIDE PANELS – The Azteca A Series sterilizers can be purchased as a standalone unit for free standing installation with stainless steel side panels, which cover the sides of the unit in order to protect the sterilizer's components from the dust.

DOOR – The door system is automatic and the sterilizer is equipped with one or two vertical sliding door(s), provided with a pneumatic locking mechanism, activated by an air- operated valve, and safety pin preventing the opening of the door when the chamber is pressurized.

LOADING/UNLOADING SHELF RACK – It is available to placing the instruments inside the chamber. The shelf rack has 1 fixed shelf on the bottom and 1 shelf, which can be placed in 2 levels.

LOADING/UNLOADING CART - It is necessary for placing the shelf rack into the sterilizer's chamber. The cart comes with locking system to the chamber for easier loading and unloading and breakable wheels. For double door models 2 carts are suggested.



CHAMBER – The vessel is a double full jacketed square chamber, made of corrosion-resistant sandblasted stainless steel 316L. It has large capacity from 110-880 Liters. Sterilization temperatures between: 121°C and 134°C

CONTROL SYSTEM – The system includes a 5.7" digital touch-screen LCD display, communication, self and remote diagnosis and PC connection for external documentation and printing. The displayed information is available for users in a variety of languages. In case bigger display is needed the 10" LCD display option is available. Azteca A Series offers 7 different cycles: 5 sterilization cycles, and 2 test cycles. Sterilization cycles: - Flash 134 °C / Unwrapped 134 °C / Wrapped 134 °C / Prion 134 °C / Porous 121 °C. Test cycles: Bowie & Dick test and Vacuum test

STEAM GENERATOR - The Azteca A Series can be equipped with a built-in electrical steam generators. The steam generator, made of stainless steel, enables steam to always be ready for operation, and thus contributes to very fast cycles with low energy consumption.

BUILT-IN INK PRINTER - The unit supplied with an integrated ink printer. Each cycle can be documented by the printer which records the preset and actual parameters of the cycle: the selected cycle, cycle parameters, date, time, temperature, pressure, errors, etc. The last 60 cycles' data is automatically stored in memory, and can be re-printed. Thermal printer can be supplied upon request.

Accesorios



Thermal Printer – For inkless cycle recording, instead of the standard supplied built-in ink printer, thermal printer can be supplied upon request. Each cycle is documented by the integrated printer which records the preset and actual parameters of the cycle: the selected sterilization or test cycle, cycle parameters, date, time, temperature, pressure, errors, etc.



SD card – Sterilization cycles' data can be collected online on a SD Card through an optional SD Card Slot. Collected data can be downloaded into a computer equipped with proprietary PC Software.



Steam generator – The Azteca A steam sterilizers can be equipped with a built-in steam generator, when central steam source is not available. The steam generator is made of stainless steel. The large capacity of the heaters enables steam to always be ready for operation, and thus contributes to a very fast cycle.



Biohazard shield – On request, Azteca A Series can be equipped with a biohazard shield. This solution should be chosen when there is a risk of any biohazard contamination.



10" LCD display – The Azteca A steam sterilizers can be supplied with 10" color graphic touch-screen display.



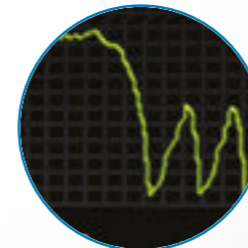
Reverse osmosis system (water softener / water purifier) – A Reverse Osmosis system shall be used to improve the quality of the water used to generate steam in the electric steam generator and to secure fully automatic operation. The use of mineral-free water will contribute to better performance and longer life of the autoclave's chamber.



Silent air compressor – An electrically operated air compressor can be supplied if there is a lack of available compressed air. The air is used to operate the unit's ball valves and the door(s).



HMI PC software (Monitoring and Documentation Software) – Powerful PC Windows based software is available for monitoring, logging sterilization cycle parameters, and providing complete control and service over the autoclaves.



Slow exhaust cycle – For sterilizing liquids according to EN285, with natural cooling and an additional PT100 temperature probe.



Side panels – The Azteca A steam sterilizers can be supplied as a stand-alone unit with stainless steel side panels.



Loading/unloading shelf rack – Stainless steel shelf rack for placing instruments inside the autoclave's chamber.



Loading/unloading cart – Stainless steel loading/unloading cart with locking system and braking wheels.



Sterilization containers and wire mesh baskets – Aluminum sterile containers and stainless steel, stackable wire mesh baskets are available in different sizes. Specified STU = 1/1 size container! See STU manufacturer's description for 1/1 scale.

LARGE STEAM STERILIZERS

Azteca A Series



TECHNICAL SPECIFICATIONS

Model Azteca A Series	A-446		A-456		A-501		A-666		A-669		A-6612		A-6615		A-6618	
Doors(s)	Single	Single	Double	Single	Double	Single	Double	Single	Double	Single	Double	Single	Double	Single	Double	
Inner chamber dimensions W x H x D (mm)	406 x 406 x 670	500 x 500 x 700	500 x 500 x 735	500 x 500 x 1000	500 x 500 x 1035	660 x 660 x 705	660 x 660 x 740	660 x 660 x 1000	660 x 660 x 1035	660 x 660 x 1265	660 x 660 x 1300	660 x 660 x 1555	660 x 660 x 1590	660 x 660 x 2000	660 x 660 x 2035	
Chamber volume	110 L	175 L	183 L	250 L	258 L	307 L (4 STU)	322 L (4 STU)	435 L (6 STU)	450 L (6 STU)	551 L (8 STU)	566 L (8 STU)	677 L (10 STU)	692 L (10 STU)	841 L (12 STU)	886 L (12 STU)	
External dimensions W x H x D (mm)	660 x 1900 x 910	970 x 1810 x 1005		970 x 1810 x 1305		1130 x 1960 x 1010		1130 x 1960 x 1305		1130 x 1960 x 1570		1130 x 1960 x 1860		1130 x 1960 x 2306		
Approximate weight	350 kg	600 kg		750 kg		850 kg		1000 kg		1150 kg		1250 kg		1800 kg		
Power supply *	3 ph. 380-400 V, 50/60 Hz															
Power without steam generator	2 kW															
Power of optional steam generator	12 kW	18 kW		27 kW		27 kW		36 kW		54 kW		63 kW		72 kW		
Available sterilization cycles	Flash 134 °C / Unwrapped 134 °C / Wrapped 134 °C / Prion 134 °C / Porous 121 °C															
Available test cycles	Bowie & Dick test / Vacuum test															
Touch-screen display	LCD 5.7" Color Graphic - (10" optional)															
Cover	Stainless steel															
Doors(s) type	Automatic vertical sliding door(s)															

* Adjustable to different voltage systems

Celitron Medical Technologies Kft. reserves the right to modify the products without any notice.

After Sales Service

Our Service Department provides product support, parts and repair for our units. Genuine Celitron parts ensure that you continue to receive the maximum performance you expect from your steam sterilizer. At any time, if you experience a problem with the unit, we're ready to help. Contact our service team and get personal help for all your questions.



About us

Celitron is a Hungarian (EU) manufacturing company with R&D focus on sterilization and infectious waste treatment systems. We have an international presence, in over 80 countries worldwide.

Celitron develops and manufactures steam sterilizers (autoclaves) for infection control in dental offices, clinics and hospitals and infectious waste treatment solutions for hospitals.

Our vision is to fulfil the market needs with our autoclaves and integrated sterilizer & shredders, these using only green technology and provide clean and sterile environment.

celitron

WE THINK GREEN!

Who are we?

Celitron is a Hungarian (EU) manufacturing company with R&D focus on sterilization and bio waste treatment systems. We have an international presence, with more than 500 deployed medical waste treatment units and over 5000 deployed steam sterilizers in over 80 countries worldwide.



QB-0206 v2.0, 2022.12.06 Celitron Medical Technologies Kft. reserves the right to modify the products without any notice.

Celitron Medical Technologies Kft.

Address:

Szent László út 36., 2600 Vác,
Hungary

Phone: +36 70 643 8995

Web: www.celitron.com

Email: info@celitron.com

ISO 9001 and ISO 13485 certified company
with CE certified products

